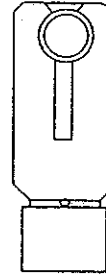


**Hydronic-Silicone Heat**  
**P.O. Box 662**  
**Ft. Mill, SC 29715**  
**(803) 548-6747**

## *Installation Instructions*

# **Single & Double Pole Thermostats for Electric/Hydronic Baseboard Heaters**

<b>Model Number</b>	<b>Description</b>
<b>HHBT1</b>	Single pole Snap Action Thermostat assembly. Rating -25 amps at 120 V through 277 Vac. <b>Note:</b> Thermostat comes assembled to end cap.
<b>HHBT2</b>	Double Pole Snap Action Thermostat assembly. Rating 25 amps at 120 V through 277 Vac. <b>Note:</b> Thermostat comes assembled to end cap



### **WARNING**

CAREFULLY READ THIS MANUAL BEFORE INSTALLING OR USE OF THIS DEVICE. FAILURE TO FOLLOW THE INSTRUCTIONS COULD RESULT IN SEVERE BODILY HARM OR PROPERTY DAMAGE. KEEP THIS MANUAL FOR FUTURE REFERENCE.

#### **RULES FOR PROPER INSTALLATION AND OPERATION**

- **WARNING: BE SURE ELECTRIC POWER IS DISCONNECTED AT MAIN FUSE OR CIRCUIT BREAKER DISTRIBUTION PANEL BEFORE INSTALLATION OR SERVICE AND ALLOW HEATER TO COOL.**
- **The installation must comply with applicable local and National Electric Codes and utility requirements.**
- **It is recommended that no more than one thermostat be used in each room (or area).**

### **Installation**

1. The thermostat can be installed in either end of the heater that the power wiring is brought into.
2. Remove selected junction box end cap (Figure 1) and discard, saving screw.
3. If the thermostat is controlling more than one heater, the total of all heater amperage ratings (Table 1) cannot exceed 25 amps at 120 volts AC through 277 volts AC. Refer to Table 2 for correct wire, circuit breaker or fuse size.
4. Connect thermostat and power wiring per wiring diagram using properly sized listed wire nuts.
5. Fold wires back into wiring compartment and install the thermostat assembly in place of the discarded junction box endcaps. Reuse the screw to hold endcap in place.
6. Reconnect power at main fuse or circuit breaker distribution panel.

HEATER AMPERE RATING TABLE 1.	
Model	Amps
HHB504	2.08
HHB754	3.13
HHB1004	4.17
HHB1254	5.21
HHB1504	6.25
HHB2004	8.33

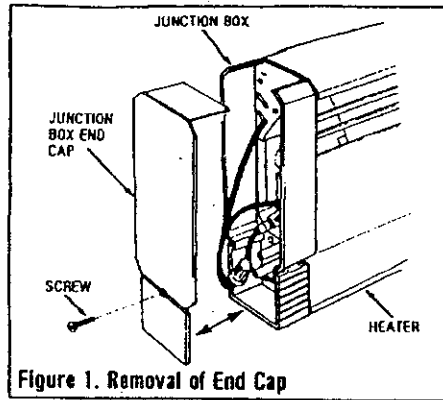
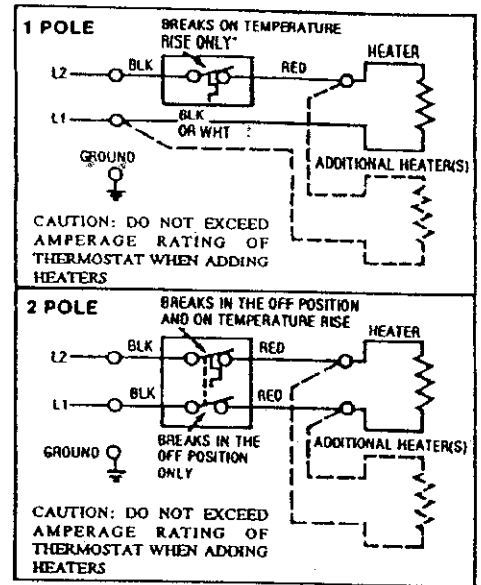


TABLE 2		
TOTAL AMPS	MIN. AWG WIRE SIZE (COPPER)	CIRCUIT BREAKER OR FUSE SIZE
0 THRU 12	#14	15 AMP
12.1 THRU 16	#12	20 AMP
16.1 THRU 24	#10	30 AMP



\*Single line break thermostats DO NOT have an "OFF" position and will operate at a temperature below it's minimum set point.

## OPERATION CHECK

- After your electric baseboard heating system has been completely installed, all thermostats, whether mounted on the wall or in the baseboard, should be turned to "LO" or "OFF." Wait 3 to 5 minutes and check to see that none of the heaters are operating. Should any of the heaters be operating, disconnect power and check your wiring. If none are operating, then turn the thermostats to the highest position and wait another 3 to 5 minutes. Then, check to see that all heaters are in operation. Should any not be operating, again disconnect power and check your wiring.
- Allow entire system to operate steadily for 1/2 hour. This should remove all residue from manufacturing. (Some smoking may occur).
- Select the setting for your comfort on all thermostats.
- Your electric heating system has many advantages, one of which is zone or room by room control. If you desire to keep a seldom used room at a lower temperature, this can be done by lowering the thermostat setting and closing the door. However, **DO NOT** try to control different rooms at different temperatures unless the doors are kept closed. This will tend to increase operating cost and decrease comfort. It is advisable, if rooms are kept open, that all thermostats have the same setting. By following these instructions, you will enjoy greater comfort.

## LIMITED WARRANTY

Hydronic-Silicone Heat warrants to the original consumer that its products are free from defects in workmanship and material under the following terms and conditions:

Hydronic-Silicone Heat agrees to repair or replace at its option, through its distributor-dealer organization F.O.B. Hydronic-Silicone Heat factory, any part which fails in normal service when, in Hydronic-Silicone Heat's opinion, such failure is due to defects in factory workmanship or materials for the following periods: heating elements - five (5) years from date of installation, others parts - one (1) year from date of installation.

No allowance will be made for labor, transportation or other charges or expenses incurred by the consumer in the repair or replacement of defective parts. This warranty does not apply to damage resulting from unauthorized repairs, faulty installation, accidents, abuse or misuse.

In order to obtain any needed repair or replacement of parts, consumer should notify the dealer from whom the unit was purchased. Also, consumer may obtain warranty service and information by contacting Hydronic-Silicone Heat, P.O. Box 662, Ft. Mill, SC 29715.

There are no other warranties made by the manufacturer, expressed or implied, except as specifically set forth above and the manufacturer neither assumes nor authorizes any other person to assume for it, any liability in connection with the heater or the sale thereof, other than as expressed herein.

Hydronic-Silicone Heat's warranty is a LIMITED warranty. Anything in this warranty notwithstanding, IMPLIED WARRANTIES OF FITNESS FOR A PARTICULAR PURPOSE AND FOR MERCHANTABILITY SHALL BE LIMITED TO THE DURATION OF THE EXPRESS WARRANTY. Some states do not allow limitations as to how long an implied warranty lasts, so the above limitation may not apply to you. HYDRONIC-SILICONE HEAT EXPRESSLY DISCLAIMS LIABILITY FOR CONSEQUENTIAL OR INCIDENTAL DAMAGES OR BREACH OF ANY EXPRESS OR IMPLIED WARRANTY. Some states do not allow exclusions or limitations of incidental or consequential damages, so the above exclusion of limitation may not apply to you.

This warranty gives you specified legal rights, and you may have other rights which vary from state to state.

## HOW TO ORDER REPAIR PARTS

When ordering repair parts, always give the following information as shown in this list:

- The Part Number
- The Model Number
- The Part Description

Hydronic-Silicone  
P.O. Box 662  
Ft. Mill, SC 29715

Need technical or warranty assistance?  
Please call 803-548-6747

All parts listed herein may be ordered from: